

SWP

COMPACT SCREEN UNIT



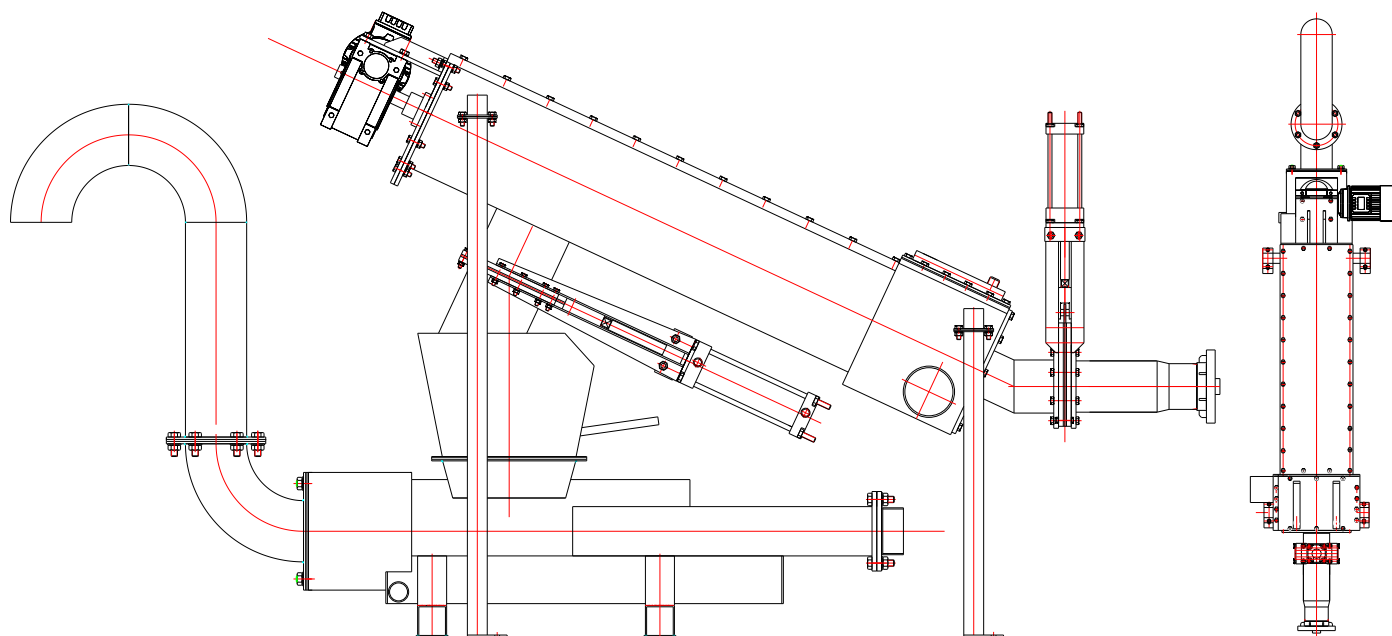
- Automatic operation, constant supervision not required
- Cyclic action, minimal wear and tear
- Quick and easy assembly
- High efficiency with low operation costs



ENKO®

COMPACT SCREEN UNIT - SWP

Separation of solids in the municipal and industrial wastes is a major problem for sewage control systems. These solids are usually hygienic product wastes, plastic parts, rags, corks, kitchen wastes, etc. Separation of these solids prevents chocking of fittings and mains. It also allows technological processes to operate without interruptions. We offer you our modern and proven SWP Compact screen with press for solid separation.



Advantages:

- Automatic operation, constant supervision not required
- Cyclic action, minimum wear and tear.
- Quick and easy assembly
- High efficiency with low operation costs.

Performs a Number of Function:

- Mechanical waste separation (screenings)
- Transport of screenings
- Dewatering (up to 60% of original volume)
- Compacting and pressing of screenings
- Prevents blockages in sewage acceptance unit.

Description and Principles of Operation:

After connecting the hoses of the sewage tanker to the screen inlet and after opening the pneumatic ZEN valve of the Sewage acceptance unit, gravitational sewage release occurs. Solid wastes of the sewage settle down at the filtering screen. Screw scraper removes the screenings from the screen and transports them up. Dewatered screenings fall into the hopper of the screening press. The press collects the material from the hopper into the pressing chamber, where the screenings are pressed. Pressed screenings are then subjected to additional compacting inside a specially shaped ejector pipe, through which they are expelled into the attached plastic bags or other containers.

SWP Compact Screen Unit manufactured by ENKO S.A. is a modern device satisfying all ecological requirements. It can be fitted either as an additional device (pre-cleaning the sewage) in front of the STZ Sewage Acceptance Unit or it can work with other devices of the sewage treatment plant.

ENKO[®]
POLAND

44-101 GLIWICE, ul. Dojazdowa 10
tel.: +48 32/ 232-18-36; 230-28-24 fax: +48 32 232-30-72
<http://www.enko.pl> ; marketing@enko.pl ; firma@enko.pl